

CEILING SPEAKER

CS-05F/610F/615F/620FH/630FH/680FH



FEATURES

CS-05F/610F/615F

- ✦ Contains a premium grade speaker unit
- ✦ Best reliability
- ✦ The beautiful and graceful cabinet design
- ✦ Easy installing and convenience
- ✦ Full Range of 1 way speaker system (6.5" unit)
- ✦ Multi-tap switch offers an easy way to change taps on a transformer(CS-610F/615F)

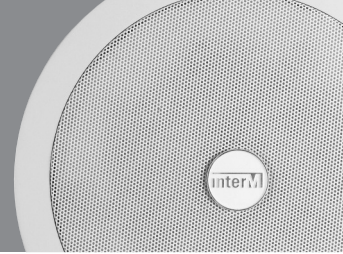
CS-620FH/630FH/680FH

- ✦ Contains a premium grade speaker unit
- ✦ Best reliability
- ✦ The beautiful and graceful cabinet design
- ✦ Easy installing and convenience
- ✦ 2 Way speaker system (6.5" -2way coaxial type)
- ✦ Multi-tap switch offers an easy way to change taps on a transformer

SPECIFICATIONS

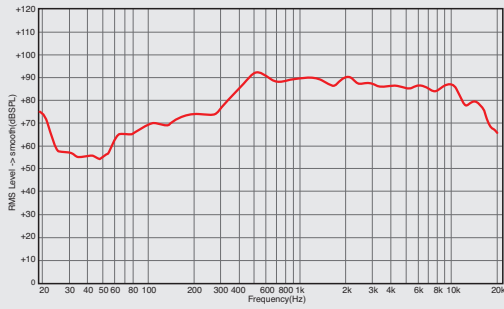
Model	CS-05F	CS-610F	CS-615F	CS-620FH	CS-630FH	CS-680FH	
Unit	6.5"						
Power Handling (AES)	5W	10W	15W	20W	30W	80W	
Input Power	100V	5W/3W/1W	10W/5W/3W	15W/7.5W/4W	20W/10W/5W	30W/20W/10W	80W/40W/20W
	70V	-	-	-	-	-	-
Impedance	100V	2kΩ/3.3kΩ/10kΩ	1kΩ/2kΩ/3.3kΩ	660Ω/1.3kΩ/2.6kΩ	500Ω/1kΩ/2kΩ	330Ω/500Ω/1kΩ	125Ω/250Ω/500Ω
	70V	-	-	-	-	-	-
	LOW	-	-	-	-	8Ω	-
Frequency Range (-20%)	95Hz ~ 18.4kHz	100Hz ~ 19.4kHz	105Hz ~ 18kHz	64Hz ~ 20kHz	85Hz ~ 20kHz	100Hz ~ 20kHz	
Sensitivity (1W/1m)	86dB	89dB	89dB	86dB	86dB	88dB	
Maximum SPL [Cont]	93dB	99dB	101dB	99dB	101dB	107dB	
Nominal Dispersion (HxV)	1kHz	190°	180°	190°	180°	130°	190°
	4kHz	60°	60°	60°	90°	60°	90°
Weight (Net)	0.65kg / 1.43lb	0.85kg / 1.87lb	0.88kg / 1.94lb	2.00kg / 4.4lb	2.00kg / 4.4lb	3.40kg / 7.4lb	
Dimensions (Net, WxHxD)	230(Φ) x 100(D)mm / 9(Φ) x 4(D)in			230(Φ) x 168(D)mm / 9(Φ) x 6.6(D)in			

* Design and specification are subject to be changed for the improvement of product quality without pre notice.

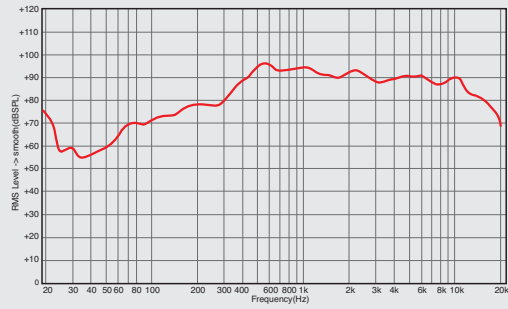


FREQUENCY RESPONSE

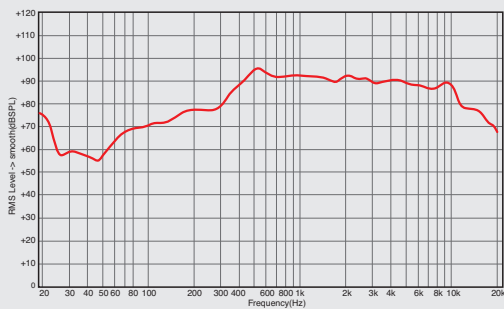
► CS-05F



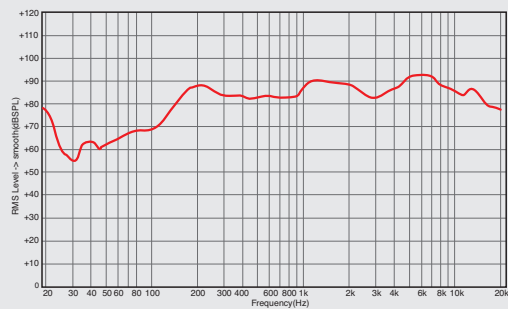
► CS-610F



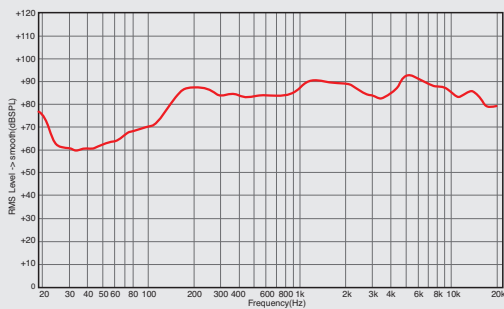
► CS-615F



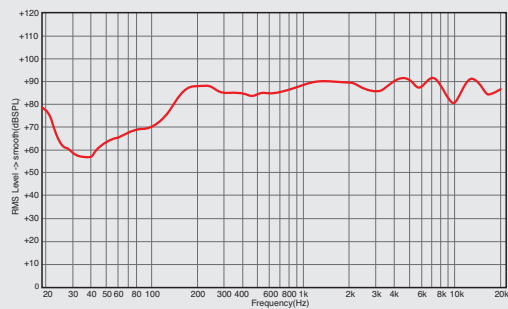
► CS-620FH



► CS-630FH



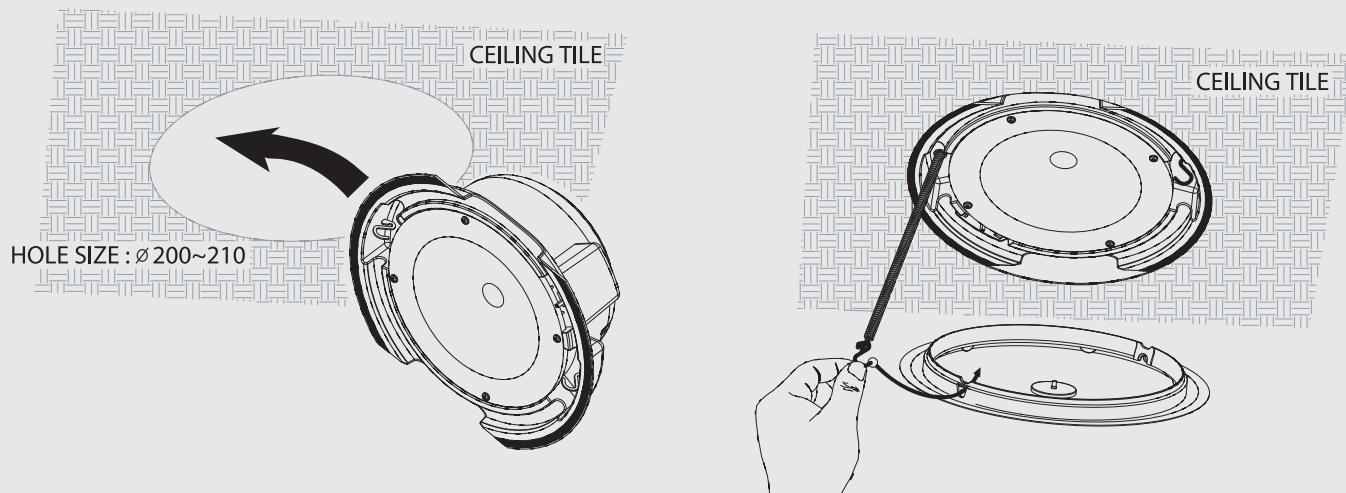
► CS-680FH



CS-05F/610F/615F/620FH/630FH/680FH

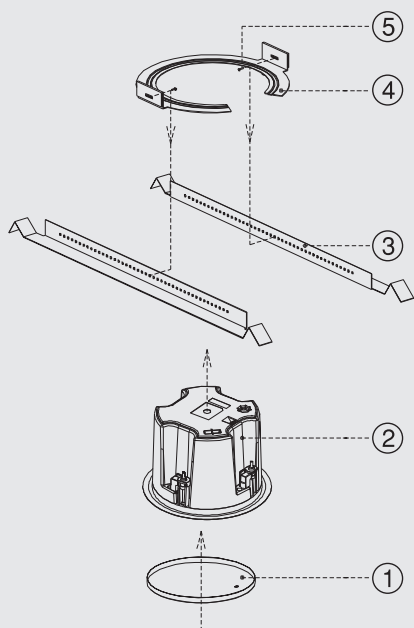
Inserting Speaker Into Ceiling

▶ CS-05F/610F/615F

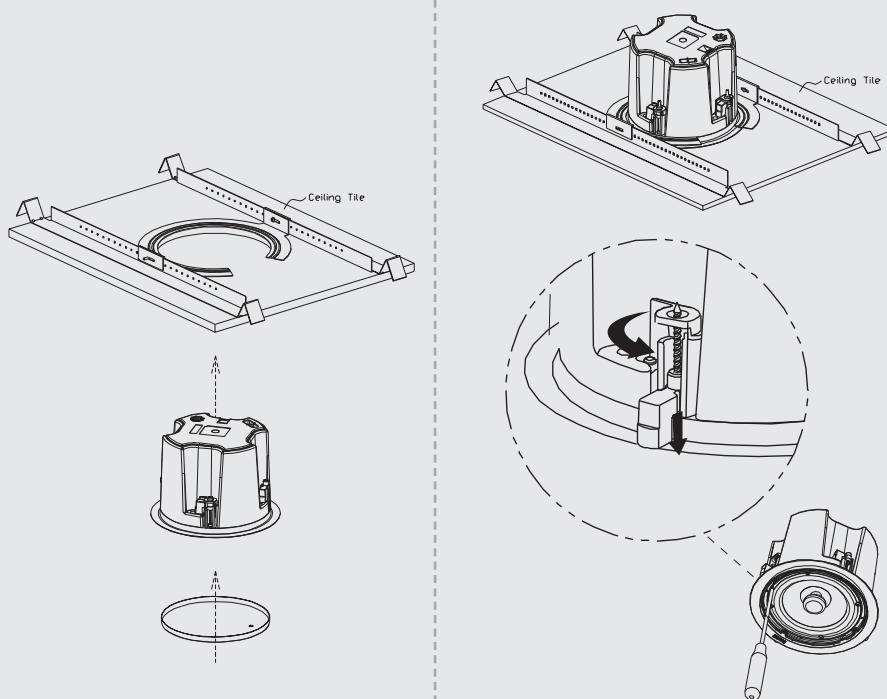


Ceiling Speaker Part-List/Inserting Speaker Into Ceiling

▶ CS-620FH/630FH/680FH

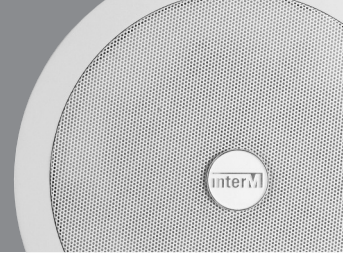


5	SCREW 1WPTC 4 x 12B	2
4	BKT-RING	1
3	BKT-RAIL	2
2	SET	1
1	GRILL COVER	1
NO	NAME	QTY



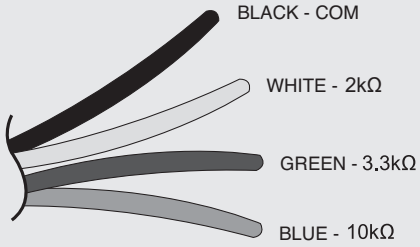
※ Ceiling Hole Size : Ø200~Ø205

1. Turn clockwise and fit carefully until approaching ceiling or BKT-RING.
2. Put GRILL-COVER on the hall of SET and press to be combined.



INPUT TERMINAL

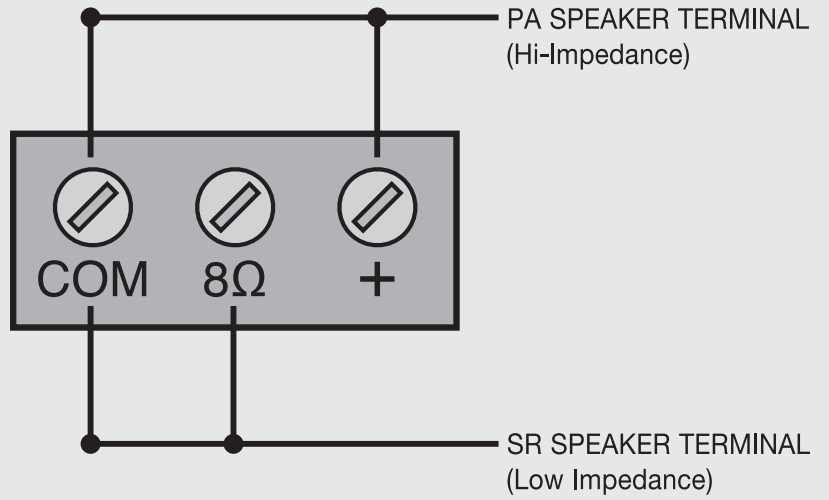
▶ CS-05F



▶ CS-610F/615F

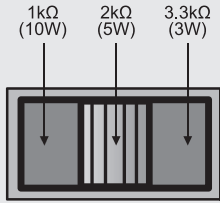
COM(-) BLACK
(+) RED

▶ CS-620FH/630FH/680FH



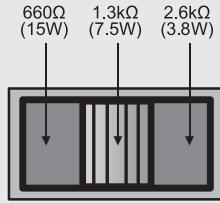
OUTPUT TERMINAL

▶ CS-610F



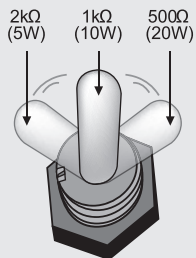
PA SPEAKER 10W / 5W / 3W
The impedance switch selects a different range of values on a transformer

▶ CS-615F



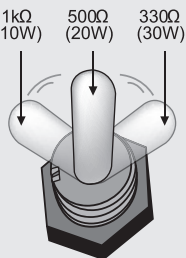
PA SPEAKER 15W / 7.5W / 3.8W
The impedance switch selects a different range of values on a transformer

▶ CS-620FH



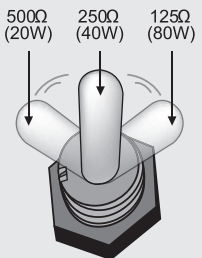
PA SPEAKER 5W / 10W / 20W
The impedance switch selects a different range of values on a transformer

▶ CS-630FH



PA SPEAKER 10W / 20W / 30W
The impedance switch selects a different range of values on a transformer

▶ CS-680FH



PA SPEAKER 20W / 40W / 80W
The impedance switch selects a different range of values on a transformer



RED OFFICE SUPPLIES LIMITED

📍 Eastern Commercial Complex, 73 Kakrail, 7th Floor,
Suite#12, Ramna, Dhaka-1000, Bangladesh

☎ 09614 61 61 61 ✉ info@redoffice.com.bd

🌐 www.redoffice.com.bd